



HB-9618 (Golden), HB-9628 (Silver)----the newly designed Bluetooth hotel lock!

Introduction:

HB9628-M (Silver) hotel lock is our latest newly designed bluetooth hotel lock for hotel application! It's made of 304 stainless steel, with Smooth polished surface, ANSI standard mortise. Support hotel keycards+ Customizing APP+manual keys to access, No check-in, check-out, Receive room info from APP, just tag smartphone and get inside

The battery pack inside the mortise, convenient to replace new battery! Together with our user-friendly hotel management software, it works well for various hotels from popular to high level!

Specification:

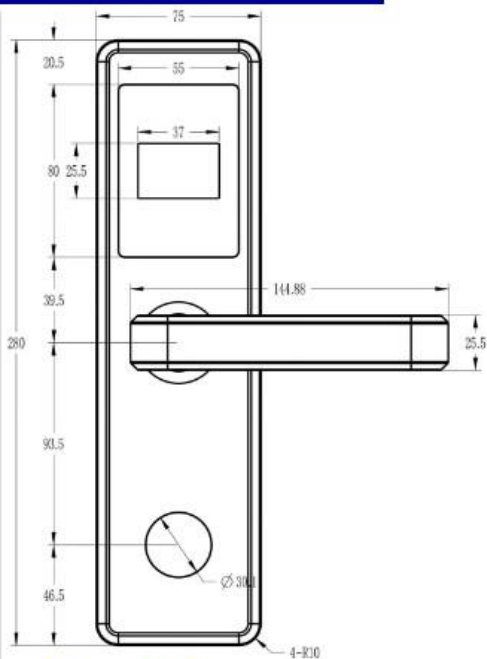
1. Dimension external part: L285mm*W75mm*H13mm
2. Stainless steel,mortise proof,Fire Retardant
3. RFID Technology-Philips Mifare 1 card(ISO14443A)
4. Power: 4 pcs AA battery, 15-18 months' life
5. 800 lock events saved circularly
6. ANSI 5 latch mortise
7. Low Battery Voltage warning (beep and red light)
8. Passage mode for meeting case
9. Lock & System operation record printable.
10. Hotel lock system (free) required
11. Override computer key for emergency use
12. 32mm-60mm thickness door



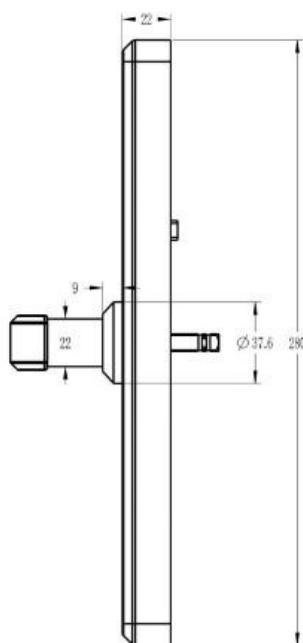


Key feature	LCD screen showing; can show the room number, status of baterries,time and date.
Material	304 Stainless Steel panel,handles and mortise.
Mortise type	ANSI standard mortise.
Certificates	CE,FCC,BHMA((America army standards,unlock last more than 800,000 times circles).
External Panel Dimension	Reference below external panel size pictures.
KeycardOptions	13.56 mhz M1/MF card
Opening Records	210pcs.
Door Thickness Range	32-60mm.
Color Optional	silver, gold (PVD).
Application	star/economic hotel, resort, apartment, dormitory,motel,cruise ship etc.
Warranty time	1 years.
Life span	about 10 to 15 years.

Lock Dimension



Front View



Side View



lock stand for displaying