

Door Loop for Mortise Mounting



Model: AB-402/402L

Basic Instruction

Door loop is made of excellent material, Seiko quality, Special design, Applicable to use for access control, to protect the wire when install the electric lock, magnetic contact, alarm button on the door, convenient and beautiful.

Specification

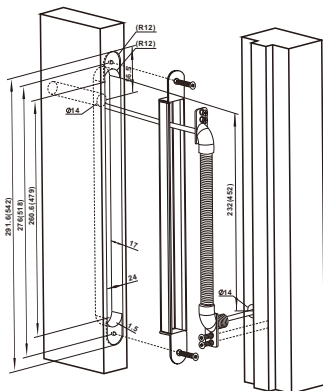
AB-402

Size: 290Lx25Wx12H(mm)DIA
Suitable Range: Prevent the wire from malicious damage
Standard Structure: Alloy Material, Thickened Ripple Tube
Finished for Shell: Painted by high temperature
Weight: 0.27kg

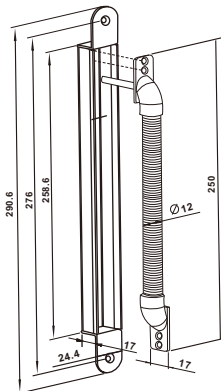
AB-402L

Size: 542Lx24Wx17H(mm)DIA
Suitable Range: Prevent the wire from malicious damage
Standard Structure: Alloy Material, Thickened Ripple Tube
Finished for Shell: Painted by high temperature
Weight: 0.4kg

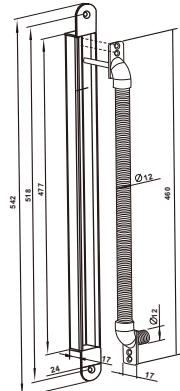
Dimension



AB-402(DLK-402L)

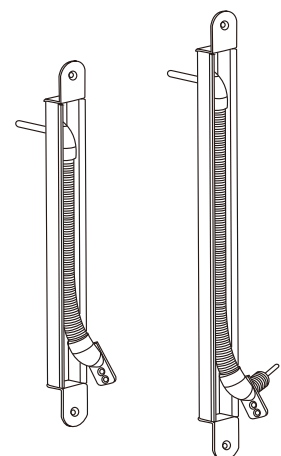
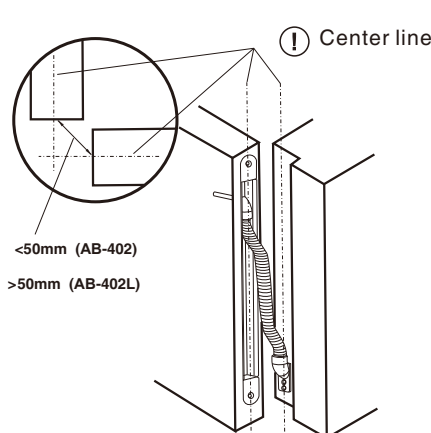
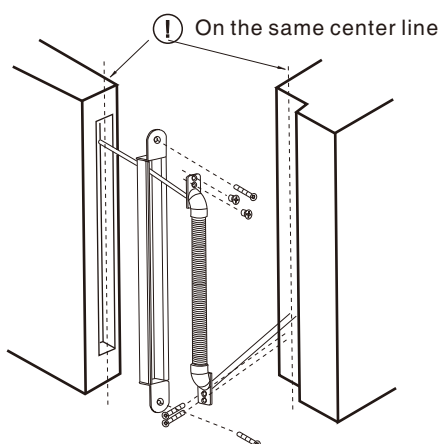


AB-402



AB-402L

Installation



AB-402, AB-402L

We create security