

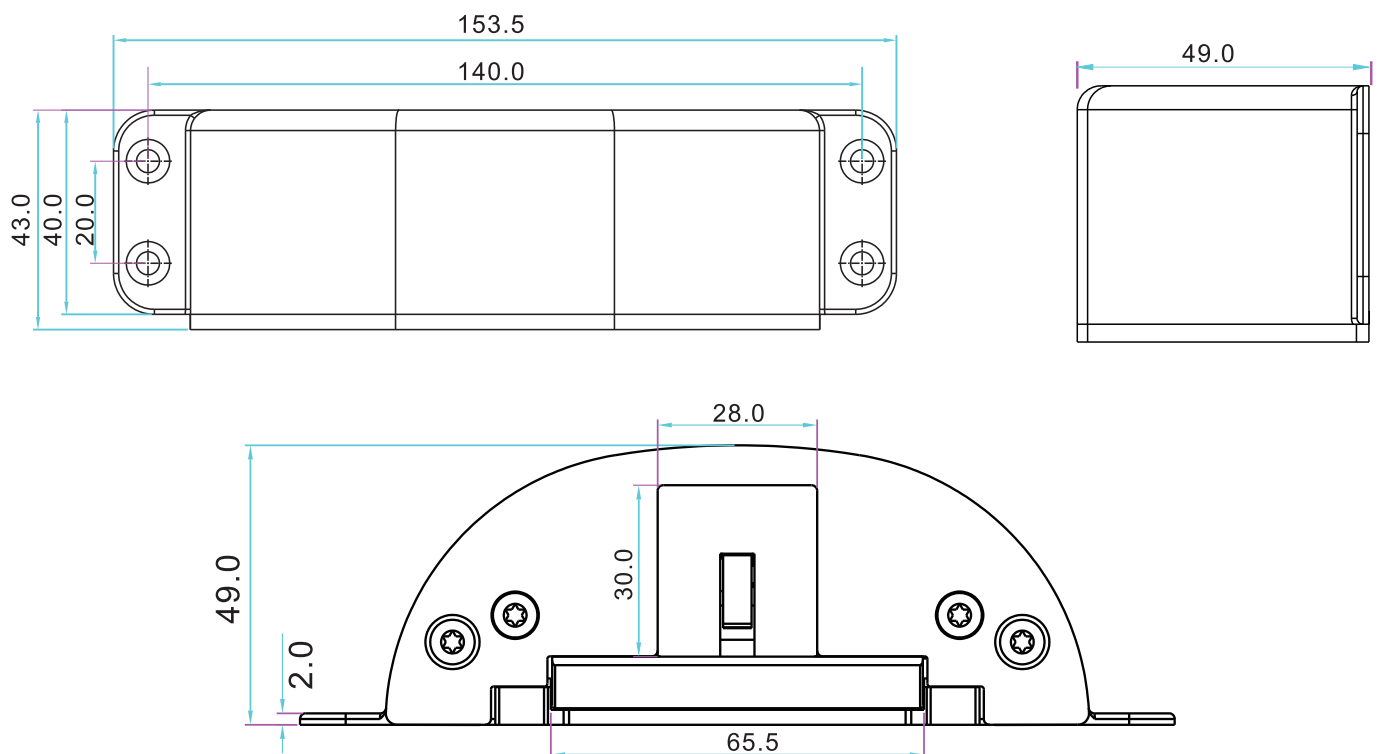
Electric Strike for Push Bar

Model: EL-622-S

Specification

Dimension	153.5Lx43Wx49H(mm)
Voltage	12V/320mA(24V need order)
Bolt Material	Harden 304 Stainless Steel
Feature	Fail Safe / Fail Secure adjustable
Signal Output	Door sensor(NO/NC/COM)
Suitable for	European & American fire push bar
Special design	Applies to all brands of fire push rod lock
Durable design	Mechanical test: 1, 000, 000 times
Door Swing	90 degrees
Weight	0.52kg

Diagram(unit:mm)



Signal Output

N.C. contact or access relay for fail safe setting.
N.O. contact or access relay for fail secure setting.

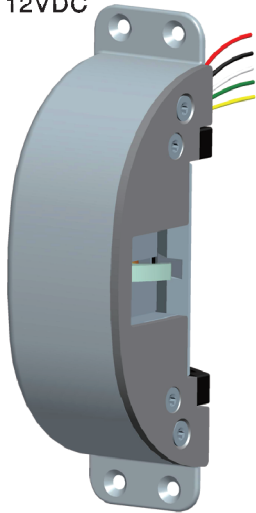
Green: NO
White: COM
Yellow: NC

Door Status

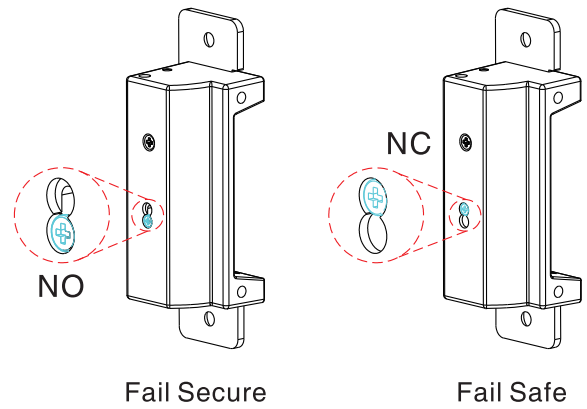
N.C. contact output : open status
N.O. contact output : closed status

Red: +
Black: -

12VDC



Function Conversion

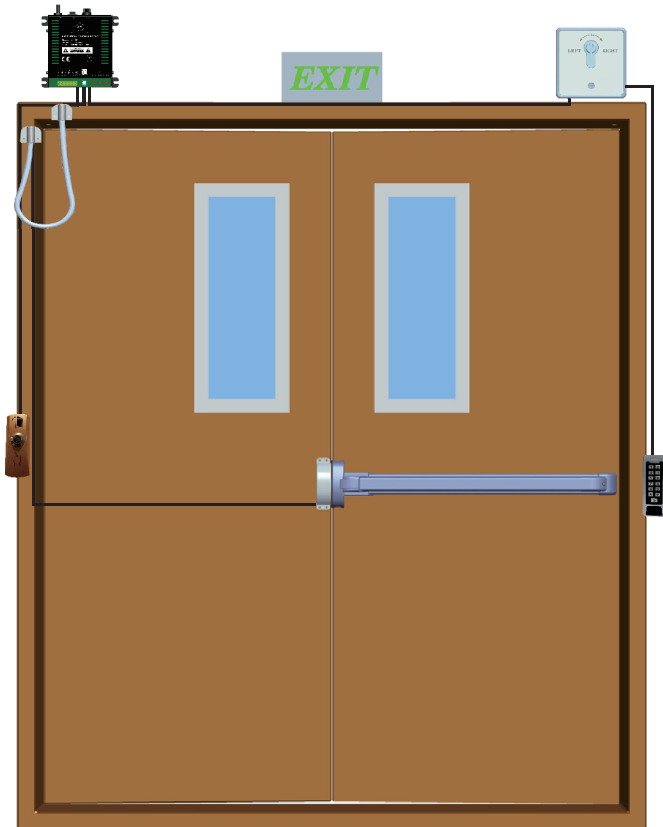


You can set the operation mode of Fail Safe or Fail Secure.

Loose the screw and tighten it in the other hole.
Fail Safe(NC): When power off, the door is in the open status.

Fail Secure(NO): When power off, the door is in the closed status.

Installation Diagram



Overall Dimensions

