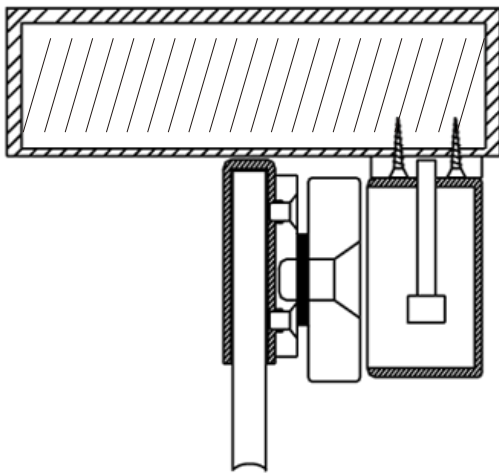


U Bracket for EM Lock

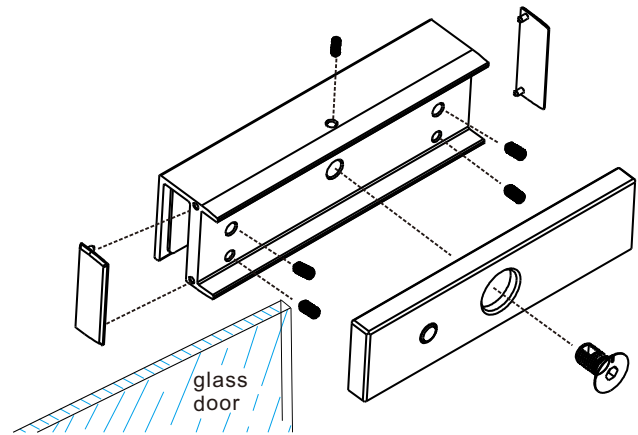
Specification

Model	Size(unit:mm)	Suitable For	Used With	Weight
EL-180U	134Lx39Wx30.5H	Frameless glass door (10-12mm)	EL-180,EL-180-S EL-180D,EL-180D-S	0.24kg
EL-280U	184Lx45Wx37.5H	Frameless glass door (10-15mm)	EL-280,EL-280(LED),EL-280T(LED) EL-280D,EL-280D(LED),EL-280TD(LED)	0.32kg

Installation



Pull glass door leaf (swing out)



U Bracket Installation

- A. If the door is glass door, need to install the U bracket.
- B. Use the Allen key to fix the U bracket on the glass door.
- C. Fix the amature plate on the U bracket.

