

Aluminium Bracket for Narrow Door

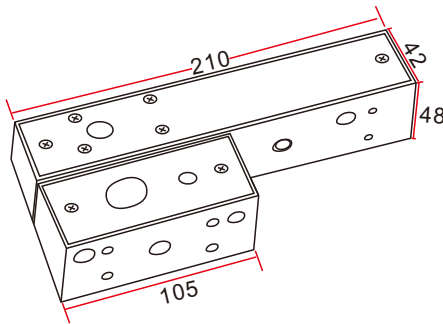


Model: EB-500

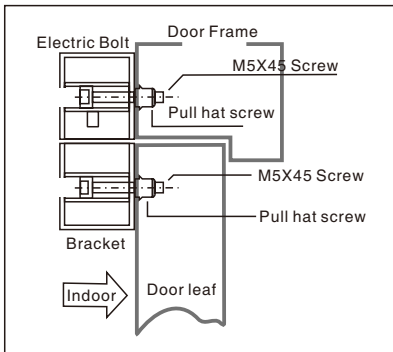
Specification

- Dimension: 210Lx42Wx48H(mm)
- Standard Structure: High Strength Aluminum, Sandblast Finished
- Suitable for Door: Inswing Door
- Opening Mode: 90 or 180 Degree Door
- Use with: EL-100/100S/100+
EL-100+LED/300/400/500
- Finished for Shell: Anodized aluminum
- Weight: 0.6kg

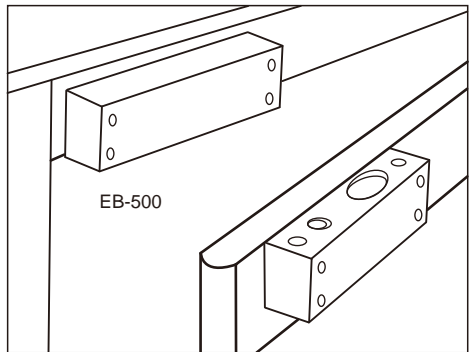
Dimension



Installation



Bracket Section View



Bracket Installation Diagram