

Shear Magnetic Lock



Model:SL-2400

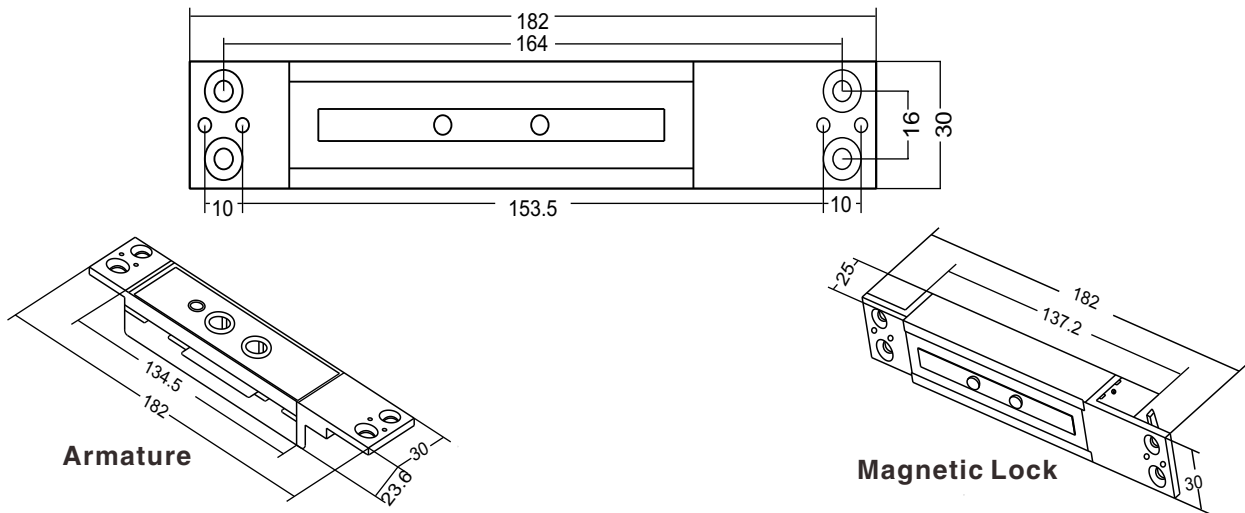
SPECIFICATION

Power supply	DC 12V (24V need order)
Operation Current	850mA
Holding Current	400mA
Delay Time	0/5/10/15sec.
Door status sensor	NO/COM(0.1A@30VDC)
Lock status sensor	NO/NC/COM(0.1A@30VDC)
Holding Force	2600Lbs(1200kg)
Magnetic distance(max.)	3mm
LED	Red shows locked; Green shows unlocked
Lock Size	182L X 30W X 25D(mm)
Armature Plate	182L X 30W X 23.6D(mm)
Weight	1.2kg

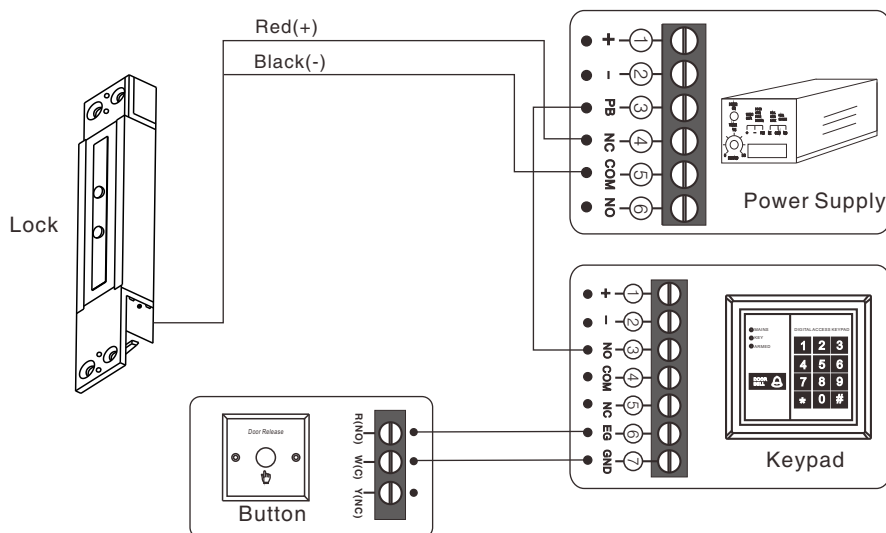
Model Color	9 PIN Connection		
Red	DC 12V	Black	GND
Purple	Purple wire of the light	Orange	Orange wire of the light
Green	Door Positions Sensor NO	※	Dangling
Brown	Lock Positions Sensor NC	Blue	Lock Status Sensor NO
Gary	Lock Positions Sensor COM	White	Door Status Sensor COM

Delay Time	0S	5S	10S	15S

DIMENSION

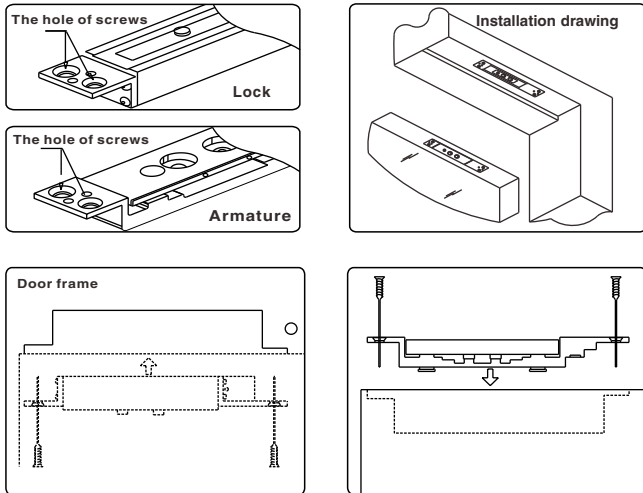


WIRING DIAGRAM

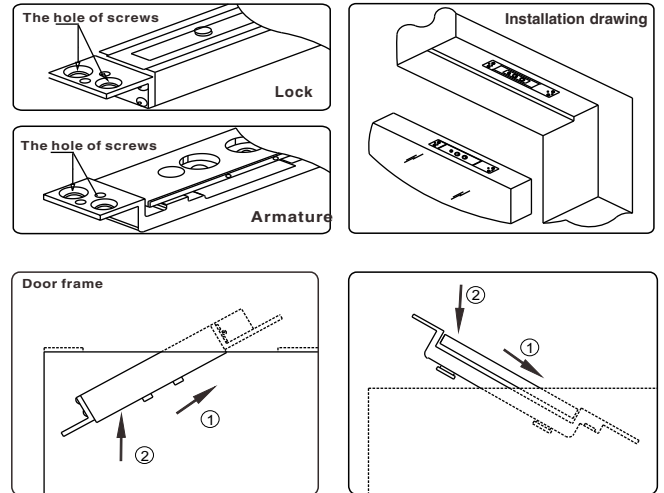


THE COMMENTARY OF HOLES

A: The Solid Door



B: The Hollow Door

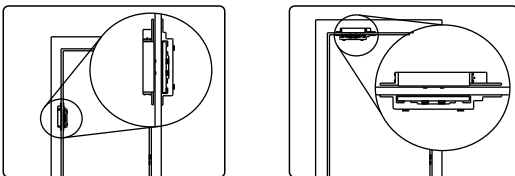


C: Use The Extended Plate

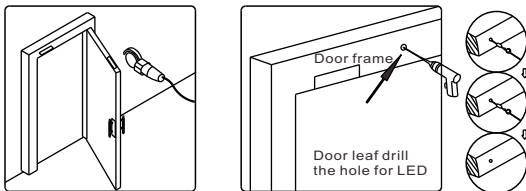


THE COMMENTARY OF INSTALLATION

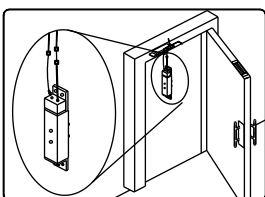
Step1: Confirm the position of installation
It can be installed upon the door or the side of the door



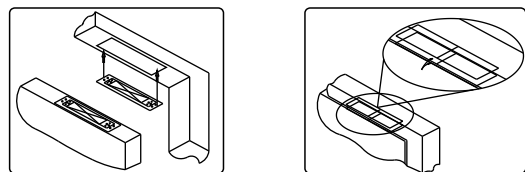
Step3: Drill the hole
Drill the hole according to the sticker, and drill the hole for the LED on the door frame.



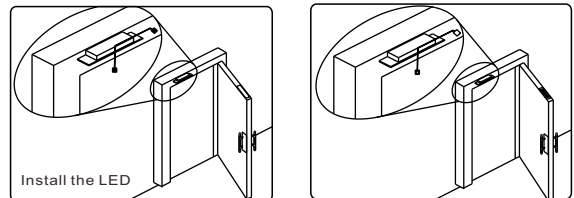
Step5: Fix the magnetic lock and armature
Connect all the wire to the shear lock body, then adjust the delay time, then fix the magnetic lock and armature



Step2: Paste the sticker
Note: Adjust the sticker to assure the proper alignment



Step4: Wiring
Install the led on the door frame, and connect the 9pin



Step6: Connect the electricity and adjust

Check the operation is correct or not when connecting electricity, please adjust a little the armature when they can't adsorb

