

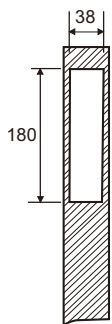
Mortise Mount Magnetic Lock

Specification

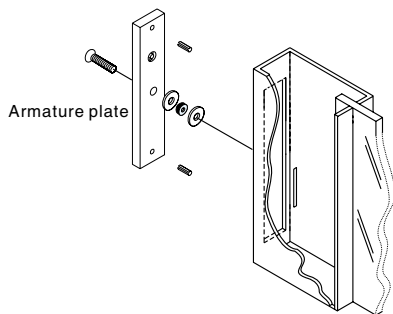
| MODEL | SIZE(UNIT:MM) | VOLTAGE | CURRENT | HOLDING FORCE | DOOR |
|-----------|----------------|----------|------------------------|----------------|-------------|
| EL-180M | 190Lx32Wx22.5H | 12/24VDC | 12V/300mA 24V/150mA | 180kg(350Lbs) | Single Door |
| EL-180M-S | 190Lx32Wx22.5H | 12/24VDC | 12V/300mA 24V/150mA | 180kg(350Lbs) | Single Door |
| EL-280M | 232Lx42Wx24.5H | 12/24VDC | 12V/500mA 24V/250mA | 280kg(600Lbs) | Single Door |
| EL-280M-S | 232Lx42Wx24.5H | 12/24VDC | 12V/500mA 24V/250mA | 280kg(600Lbs) | Single Door |
| EL-500M | 254Lx65.8Wx39H | 12/24VDC | 12V/420mA 24V/210mA | 500kg(1200Lbs) | Single Door |
| EL-500M-S | 254Lx65.8Wx39H | 12/24VDC | 12V/420mA 24V/210mA | 500kg(1200Lbs) | Single Door |

Installation

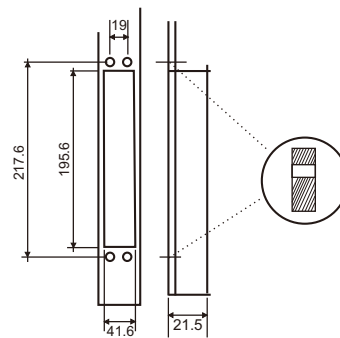
For example: YM-280M (Unit:mm)



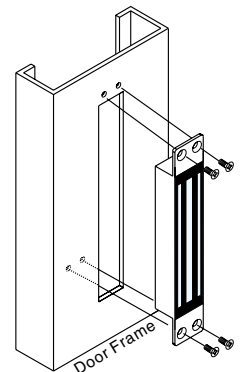
(1) Dig the hole



(2) Fix screws



(3) Dig the hole



(4) Fix screws



NOTES:

Please read specification before installing magnetic lock

A. Handle the equipment carefully. The holding force can be reduced by damaging the lock body or armature plate.

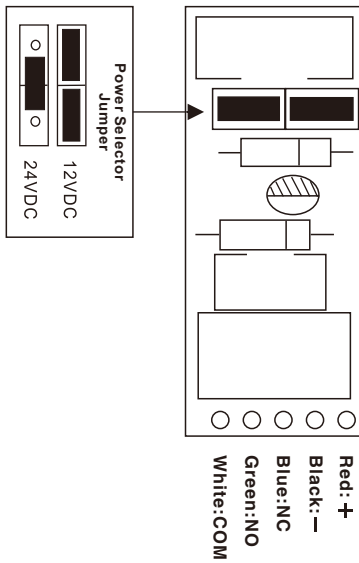
B. The magnetic lock should be fixed tightly on the door frame and the armature plate on the door leaf. Kit provided allows the armature plate to pivot its center, thus compensating misalignment caused by other factors.

C. Template can only be used with the door in normally closed circumstance.

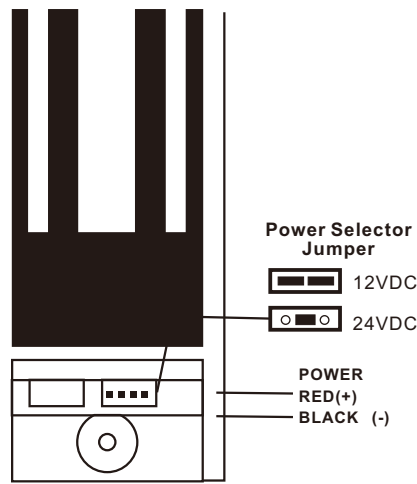
D. Please fix screws of magnetic lock firmly.

E. Detect signal of door state: the limit of reed switch and dry contact is 0.5A/30VDC. Don't overload.

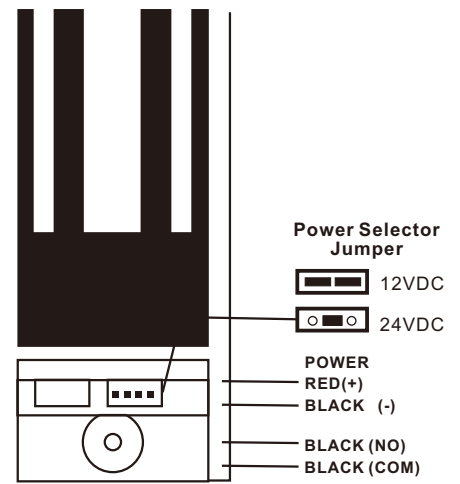
Circuit board diagram



EL-180M-S

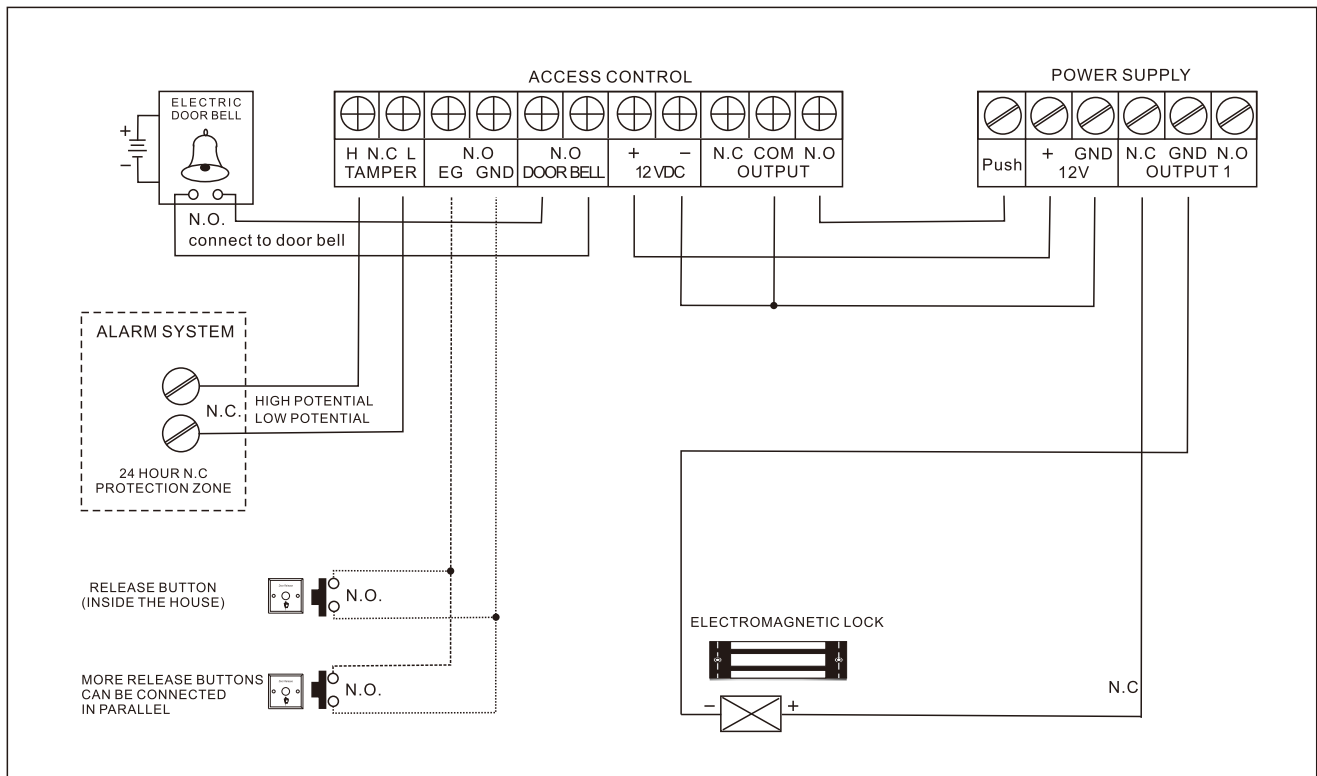


EL-180M, EL-280M, EL-500M



EL-280M-S, EL-500M-S

Wire Connection



⚠ Cautions:

- The screw of armature plate should not be fixed too tight. Proper elasticity should be guaranteed for the rubber ring so that the armature plate can adjust itself to the appropriate position.
- Check the jumper's position before connecting. Figure out it represents 12VDC or 24VDC.