

Basic Wall Mount Door Holder

Model:DH-601

Basic Instruction

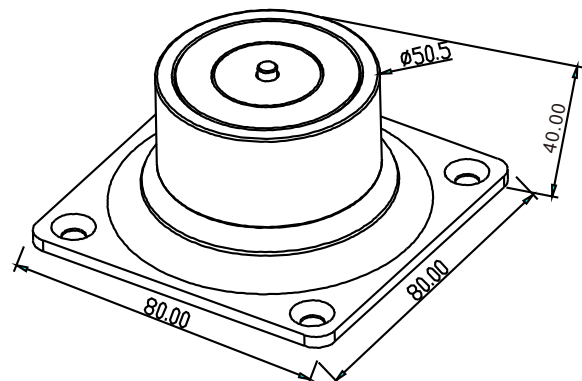
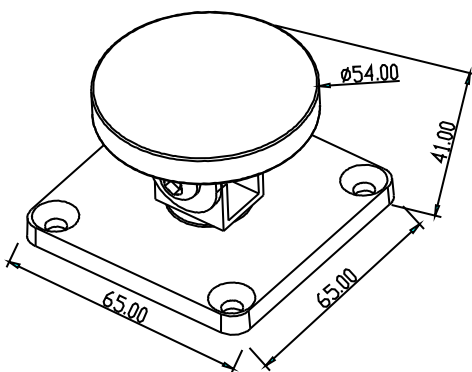
Dual Voltage Selectable(12VDC or 24VDC)
 Wall Mounting Direction
 Low Current Consumption

Reliable Fail-Safe Mechanism
 Durable and Silence Operation

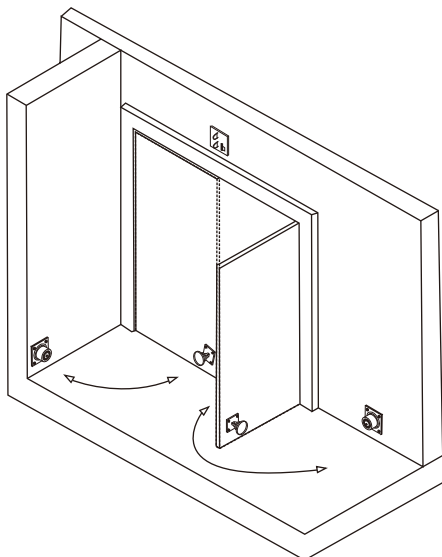
Specifications

- Size: 80Lx80Wx40H(mm)
- Voltage: 12/24VDC+10%(Adjustment)
- Current Draw: 12V/140mA 24V/70mA
- Operating Temp: -10~+55°C(14-131F)
- Suitable Humidity: 0~95%
- Weight: 0.85kg
- Holding Force: 50kg(110Lbs)
- Suitable for: All Kind of Single(Double) Smokeproof Doors.
- Finishes for Armature: Chromium
- Finishes for Shell: High Temperature Paint Environmental Protection Zinc

Dimension



Installation



12/24V Adjustable

Remarks:

1. The default setting is 24VDC.
2. If user want to connect with 12VDC, operating as below:
 - (1) Pull those two jumpers out. It is showed 4 pins here.
 - (2) To set up 12VDC, insert one jumper on the position of 1 and 2, second jumper on the position of 3 and 4.

