

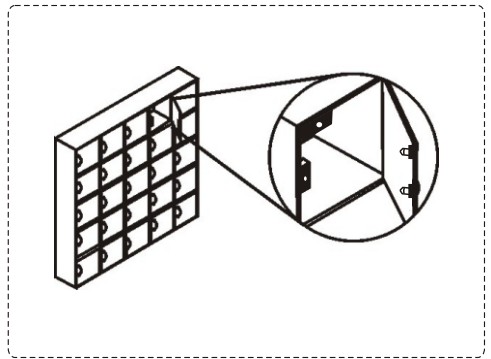
Electric Cabinet Lock

Model:CL-301

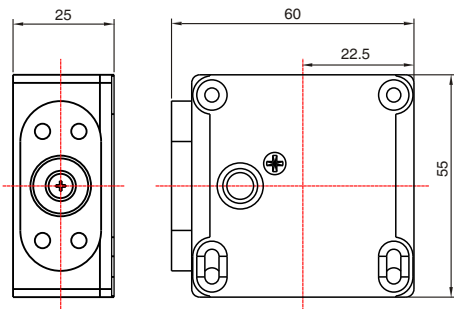
Technical Parameters

Size : 55Lx55Wx25H(mm)
 Pin Length : 18mm
 Pin Diameter : 7mm
 Fail Secure: Locked when power off
 Voltage : 12VDC \pm 10%
 Current : 320mA
 Suitable for : File cabinet
 Storage cabinet
 Public cloak room
 Weight : 0.1kg

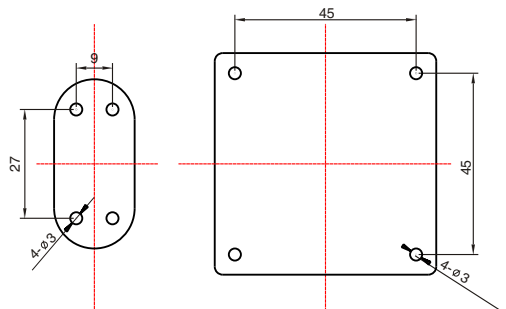
Installation



Dimension



Outline dimensional drawing



Hole size