

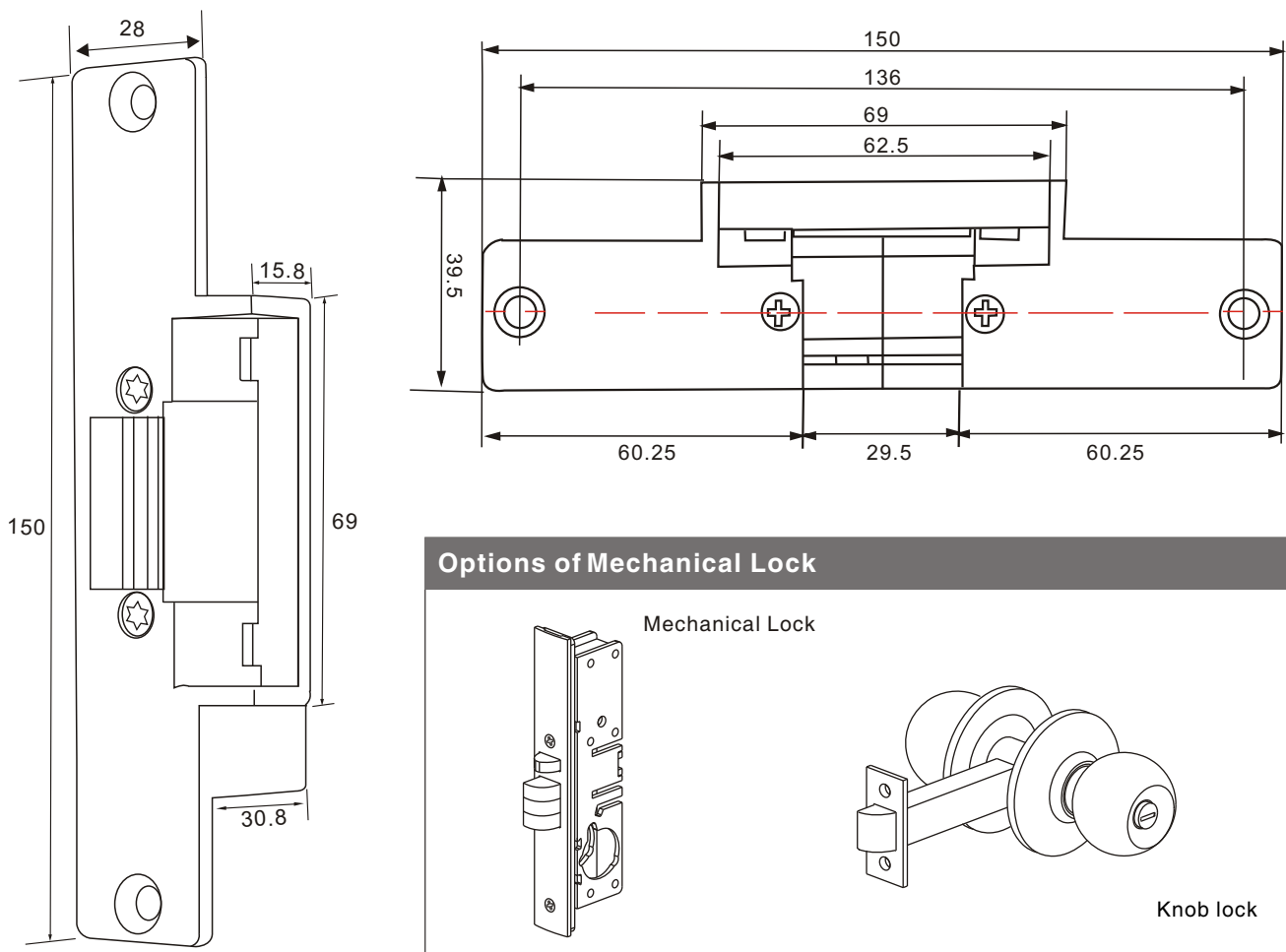
# Standard-type Electric Strike

Model:EL-130NO/NC

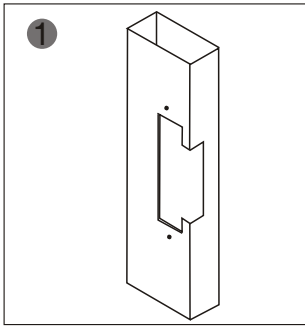
## Specification

<b>Size</b>	150Lx39.5Wx28H(mm)
<b>Voltage</b>	12VDC
<b>Current</b>	200mA
<b>Feature</b>	FailSecure(EL-130NO)    FailSafe(EL-130NC)
<b>Suitable For</b>	Wooden Door, Metal Door
<b>Finishing</b>	Electroplating
<b>Weight</b>	0.4kg

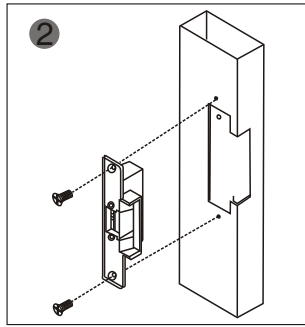
## Diagram(unit:mm)



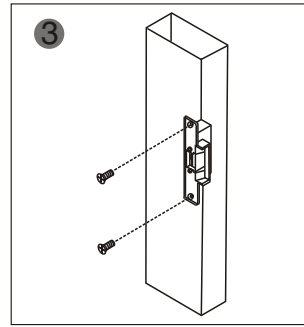
# Installation



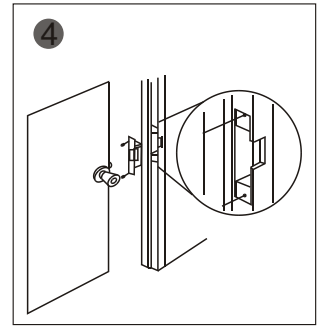
1 Cut hole according to the dimension of strike.



2 Assemble the lock and connect it to the power to test

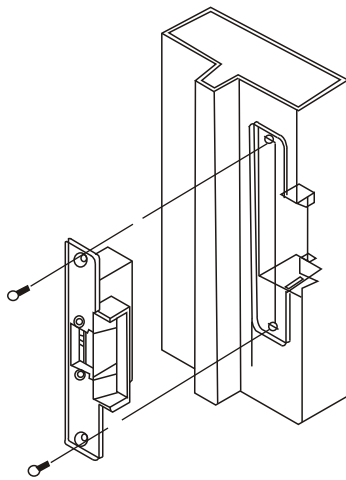


3 Fix the electric strike

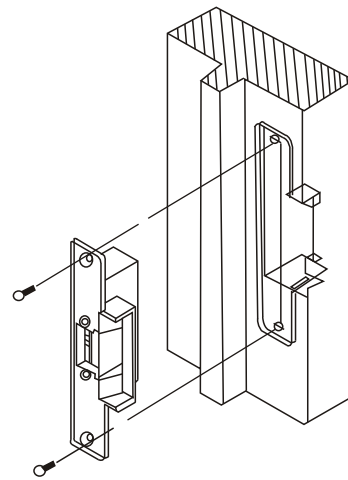


4 Finished

# Suitable for



Metal Door Frame



Wooden Door Frame

# Wire connection

