

Fail Safe(Secure)Electric Bolt W/Signal, Time,& Open Wire

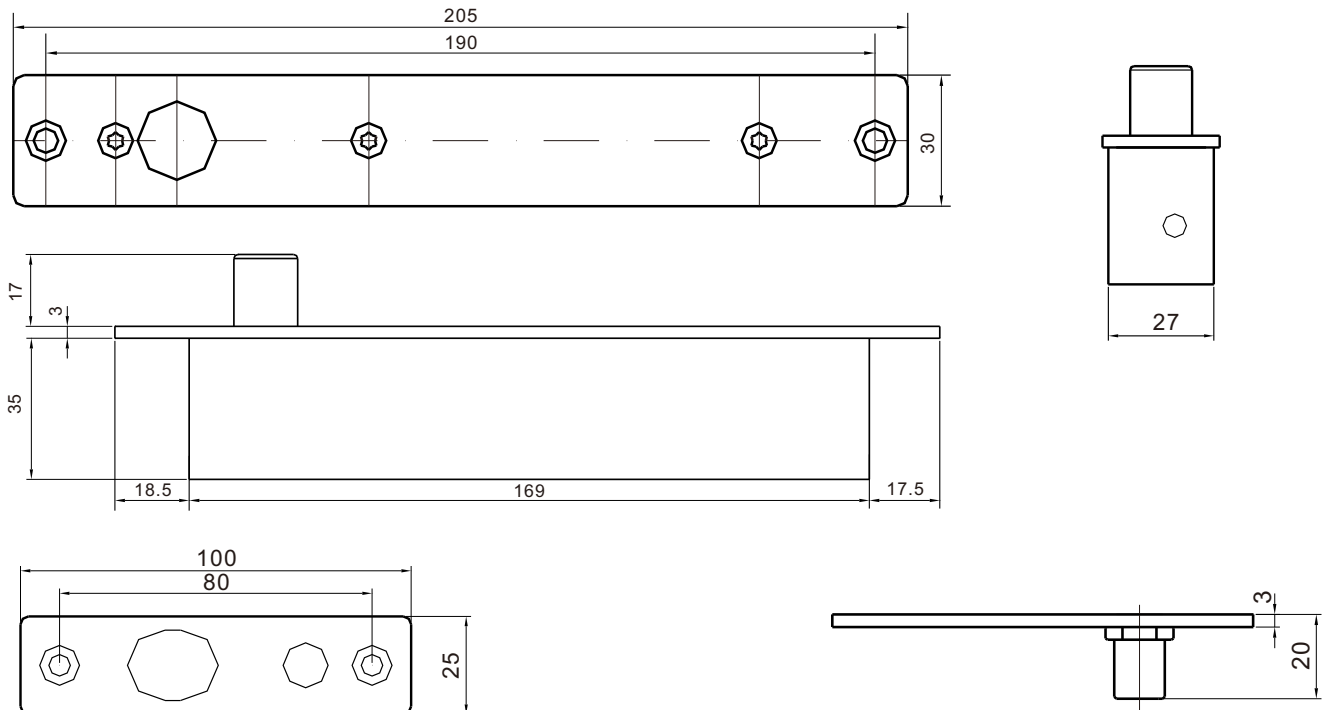
Model:EL-700A/B



Parameters

Face Plate	205Lx30Wx38H(mm)
Magnetic Plate	100Lx25Wx3H(mm)
Bolt	17mm(H)x16mm(D)
Signal Output	NC/COM NO/COM
Time Delay	0/3/6/9sec
Voltage	12VDC
Current	Start 950mA,Standby 150mA
Feature	Fail Safe(700A) , Fail Secure(700B)
Suitable for	Wooden door,metal, fireproof,glass door
Weight	1.0kg

Dimensions

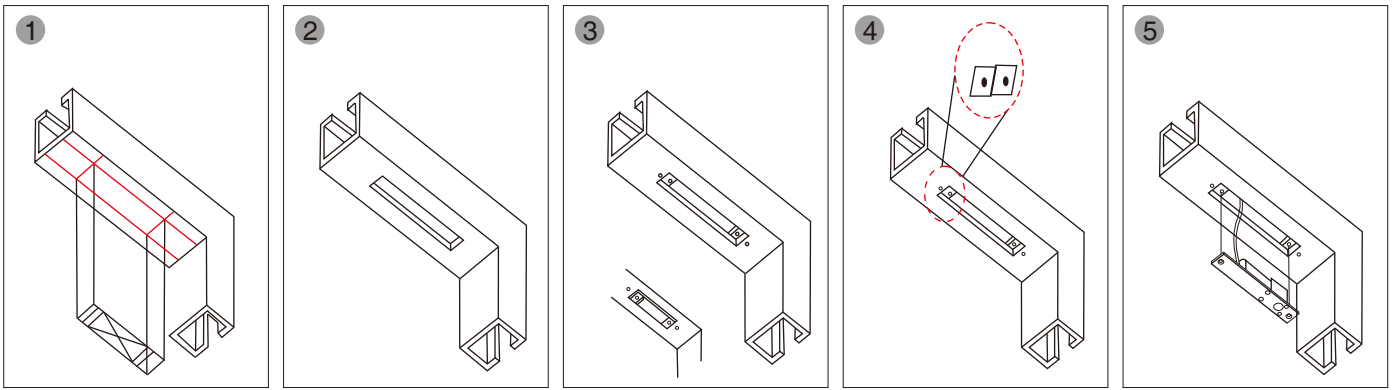


Model	Red	Brown	Green	Blue	White	Orange
YB-700	+	-	NC	NO	COM	OPEN

**AUTOLOCK TIME
DELAY SETTING**



Installation



1 Place lock body template to match with door frame center line

2 Cut hole

3 Fix mounting plate (For hollow metal frame)

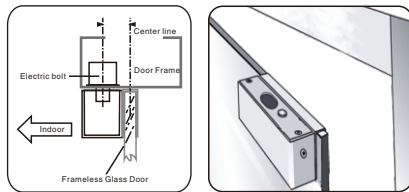
4 Connect wires

5 Mount lock body on the door frame and test

Installation Schematic

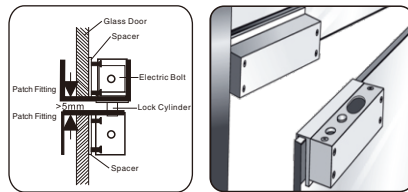
Frameless Glass Door

Suitable for 10-15mm glass door, ÖÖ-600/601/602 for Frameless Glass Door.



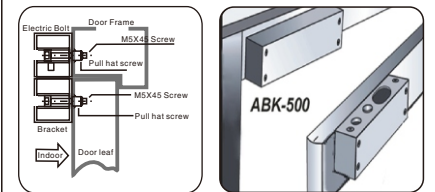
Fully Frameless Glass Door

EB-700 for Fully Frameless Glass Door (need order)



Aluminium Bracket for Narrow Door

ÖB-500 for Narrow Door (need order).



Wiring Diagram

