

# Fail Safe Electric Bolt for Fully Frameless Glass Door

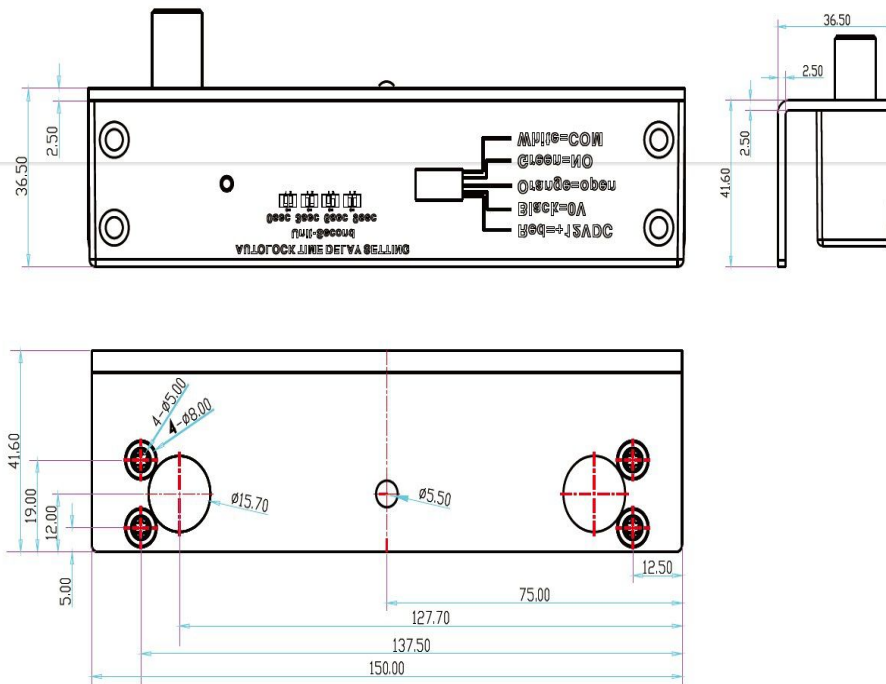


Model: EL -500U(LED)

## Parameters

Face Plate	150Lx41.6Wx36.5H(mm)
Bracket	150Lx41.6Wx36.5H(mm)
Bolt	16mmDIA, stainless steel 13mm throw
Signal Output	NO/COM
Time Delay	0/3/6/9 sec
Voltage	12 VDC
Current	Start 960mA, Standby 130mA
Fail Safe	Locked when energized
Suitable for	10-12mm Electric Bolt for Fully Frameless Glass Door
Weight	1.36 kg

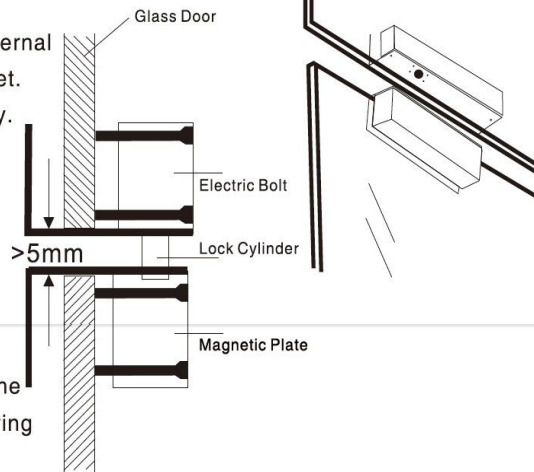
## Dimensions



## Installation

### Steps:

1. Ensure the installation position, clean the glass surface.
2. Fix the spacer inside the U bracket, quantity of spacer can be increased according to the thickness of glass.
3. Paint the glass cement on the internal sideway of the under-part bracket.
4. Screw the bracket by the Allen key.



### Attentions:

1. EL-500U(LED) is specially for the 180 degree in-swing and out-swing frameless glass door.
2. The thickness of glass door is 10-12mm
3. The gap between the down-bracket and electric bolt is : 5-8mm.

## Wiring Diagram

